



**WHITE-RODGERS**

**1E56W-444**

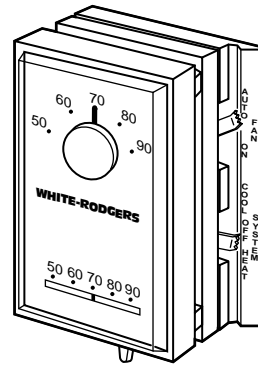
Low Voltage Heating/Cooling Thermostat  
**INSTALLATION INSTRUCTIONS**

**Operator: Save these instructions for future use!**

**FAILURE TO READ AND FOLLOW ALL INSTRUCTIONS CAREFULLY BEFORE INSTALLING OR OPERATING THIS CONTROL COULD CAUSE PERSONAL INJURY AND/OR PROPERTY DAMAGE.**

**DESCRIPTION**

This low voltage thermostat is designed to provide convenient control of the heating/cooling system. To provide greater room comfort, the sensitive spiral bimetal is combined with an adjustable heating anticipator and a fixed cooling anticipator to provide maximum comfort.



**PRECAUTIONS**

If in doubt about whether your wiring is millivolt, line, or low voltage, have it inspected by a qualified heating and air conditioning contractor, electrician, or someone familiar with basic electricity and wiring.

Do not exceed the specification ratings.

All wiring must conform to local and national electrical codes and ordinances.

This control is a precision instrument, and should be handled carefully. Rough handling or distorting components could cause the control to malfunction.

**CONTENTS**

Description .....	1
Precautions .....	1
Specifications .....	2
Installation .....	2
Select Thermostat Location	
Route Wires to Location	
Attach Subbase to Wall	
Special System Configurations	
Electric Heat Furnaces (Single Transformer Systems Only)	
Two-Transformer Systems	
Heat Pump Applications	
Special Application Terminals	
Attach Thermostat to Subbase	
Operation & Maintenance .....	5
Adjusting Heat Anticipator	
Calibrating Thermostat	

**⚠ CAUTION**

**To prevent electrical shock and/or equipment damage, disconnect electric power to system at main fuse or circuit breaker box until installation is complete.**

**Do not short out terminals on gas valve or primary control to test. Short or incorrect wiring will burn out heat anticipator and could cause personal injury and/or property damage.**

**⚠ WARNING**

**Do not use on circuits exceeding 30 volts. Higher voltage will damage control and could cause shock or fire hazard.**



**WHITE-RODGERS DIVISION**  
EMERSON ELECTRIC CO.  
9797 REAVIS ROAD  
ST. LOUIS, MISSOURI 63123-5398

Printed in U.S.A.

**PART NO. 37-5033B**  
Replaces 37-5033A  
9625

# SPECIFICATIONS

## ELECTRICAL DATA

**Switch Rating:** 24 VAC (30 VAC max.)

Heating - 0.15 to 1.2 Amps

Cooling - 0 to 1.5 Amps

**Switch Action:** SPST - Sealed mercury switch

**Anticipator Rating:**

Heating - Adjustable from 0.15 to 1.2 Amps

Cooling - Fixed 24 VAC

## THERMAL DATA

**Temperature Range:** 50°F to 90°F (10°C to 32°C)

**Differential:** 1°F

## APPLICATIONS

The 1E56W-444 is designed for use with

- Standard heating and cooling systems
- Electric heating and cooling systems
- Single stage heat pump systems
- Two-transformer systems
- Electronic air cleaners
- Humidifiers
- Zone dampers

This thermostat **CANNOT BE USED** with:

- Millivolt systems
- Multi-stage applications

# INSTALLATION

## SELECT THERMOSTAT LOCATION

Proper location insures that the thermostat will provide a comfortable home temperature. Observe the following general rules when selecting a location:

1. Locate thermostat about 5 ft. above the floor.
2. Install thermostat on a partitioning wall, not on an outside wall.
3. Never expose thermostat to direct light from lamps, sun, fireplaces or any temperature radiating equipment.
4. Avoid locations close to windows, adjoining outside walls, or doors that lead outside.
5. Avoid locations close to air registers or in the direct path of air from them.
6. Make sure there are no pipes or duct work in that part of the wall chosen for the thermostat location.
7. Never locate thermostat in a room that is warmer or cooler than the rest of the home, such as the kitchen.
8. Avoid locations with poor air circulation, such as behind doors or in alcoves.
9. The living or dining room is normally a good location, provided there is no cooking range or refrigerator on opposite side of wall.

## ROUTE WIRES TO LOCATION

### NOTE

All wiring must conform with local and national electrical codes and ordinances.

1. If an old thermostat being replaced is in a satisfactory location, and the wiring appears to be in good condition, use existing wiring. If in doubt, re-wire.
2. If a new location is chosen or if this is a new installation, thermostat wiring must first be run to the location selected.

3. Probe for obstructions in partition before drilling  $\frac{1}{2}$ " hole in wall at selected location. Take up quarter round and drill a small guide hole for sighting (see fig. 1). From basement, drill  $\frac{3}{4}$ " hole in partition floor next to guide hole. In houses without basements, drill  $\frac{1}{2}$ " hole through ceiling and into partition from above (see fig. 1).
4. Through this hole drop a light chain, or 6" chain attached to a strong cord. Snag cord in basement with hooked wire. In houses without basements, drop cord through hole in ceiling and down partitioning; snag cord at the thermostat location.
5. Attach thermostat wires to cord and pull thermostat wires through hole in wall so that 6" of wire protrudes.

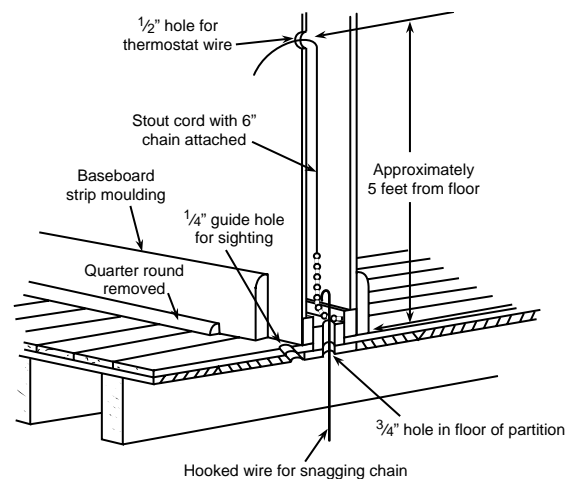


Figure 1. Routing thermostat wires

## ATTACH SUBBASE TO WALL

### ⚠ CAUTION

To prevent electrical shock and/or equipment damage, disconnect electric power to system at main fuse or circuit breaker box until installation is complete.

1. Disconnect electrical power at main fuse or circuit breaker.
2. Pull wires through opening near center of subbase and connect wires beneath terminal screws (see figs. 2 through 6 for typical wiring for each application. Also refer to subsections below for special system configurations).
3. Push excess wiring into wall and plug hole with fire-resistant material (such as fiberglass insulation) to prevent drafts from affecting thermostat operation.
4. Position subbase over hole in wall and mark mounting hole locations on wall.
5. Drill mounting holes.
6. Fasten subbase loosely to wall, as shown, using two mounting screws. Place a level against bottom of subbase, adjust until level, and then tighten mounting screws to secure subbase. If holes in wall are too large and do not allow you to tighten subbase snugly, use plastic screw anchors to secure subbase.

## SPECIAL SYSTEM CONFIGURATIONS

### Electric Heat Furnaces (Single Transformer Systems Only)

The subbase as shipped may not operate the fan correctly. If both the heating and cooling system must operate the fan relay, remove the yellow factory-installed jumper wire from the **Y** terminal and connect it to the **A** terminal. The fan should now cycle when the thermostat calls for either heat or cool.

### Two-Transformer Systems

### ⚠ CAUTION

If two transformers are used, they **MUST** be in phase. Failure to do so may result in personal injury and/or property damage.

### NOTE

Wire color **DOES NOT** indicate polarity. Polarity is obtained from an oscilloscope or voltmeter.

### Heat Pump Applications

This subbase **WILL NOT** provide multi-stage heating or cooling operation. For single-stage heat pump applications, install a short jumper wire across terminals **W** and **Y**. If the old thermostat has a terminal that is continuously

energized, disconnect the wire from the old thermostat's terminal and connect it **either** to the: 1) **B** terminal, if the reversing valve is energized on a call for heat; **or** to the 2) **O** terminal, if the reversing valve is energized on a call for cool. If the system heats on a call for cool, or vice versa, this wire has been connected to the wrong terminal.

### NOTE

**RH** and **RC** must be jumpered for single transformer heat pump systems.

### Special Application Terminals

The **B** and **O** terminals can provide switching for special functions other than heat pump operation. When the system switch is in the **HEAT** position, the **B** terminal is energized. When the system switch is in the **COOL** position, the **O** terminal is energized.

## ATTACH THERMOSTAT TO SUBBASE

1. Remove cover from thermostat base by gripping the base in one hand. Use the other hand to pull gently at the top or bottom of the cover.
2. Carefully remove the shipping protective packing from the switch.
3. Attach thermostat base to subbase, being sure that all captive screws are tightened snugly, since they serve as electrical connections between thermostat and subbase (see fig. 7).
4. Snap cover on thermostat and set switches and temperature lever to desired set point (see **OPERATION** section).
5. Turn on power to the system.

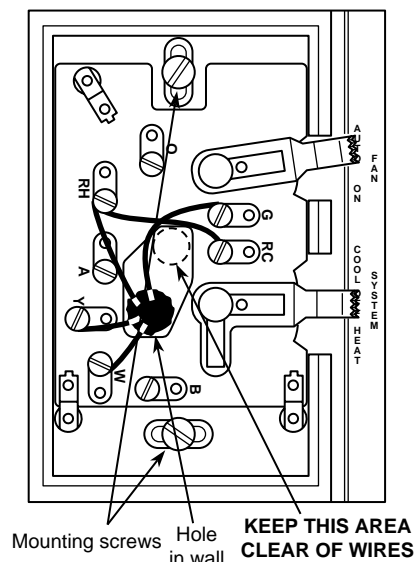


Figure 2. Thermostat subbase

**CAUTION**

Take care when securing and routing wires so they do not short to adjacent terminals or rear of thermostat. Personal injury and/or property damage may occur.

**NOTE**

These typical wiring diagrams show only the terminal identification and wiring hookup. Always refer to wiring instructions, provided by equipment manufacturer, for system hookup operation.

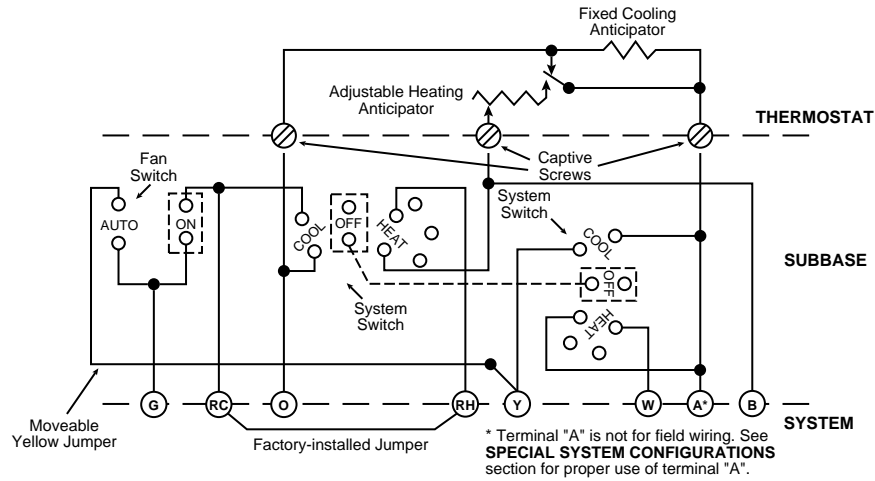


Figure 3. Typical wiring diagram (see figs. 4, 5, and 6 for typical system/thermostat wiring)

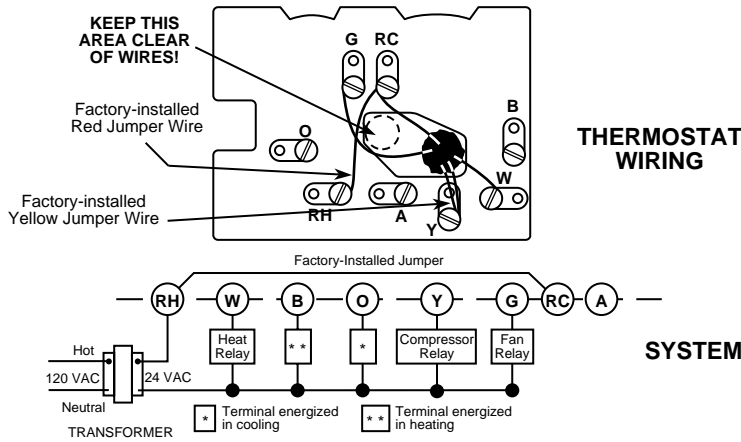


Figure 4. Typical wiring for single transformer heating/cooling system

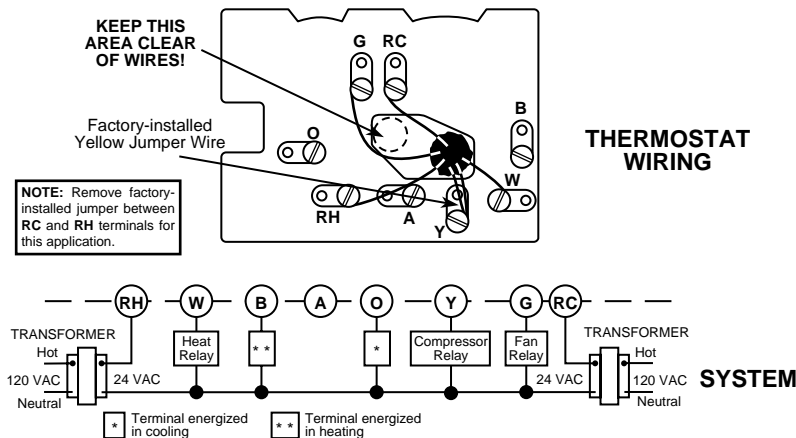


Figure 5. Typical wiring for two-transformer heating/cooling system

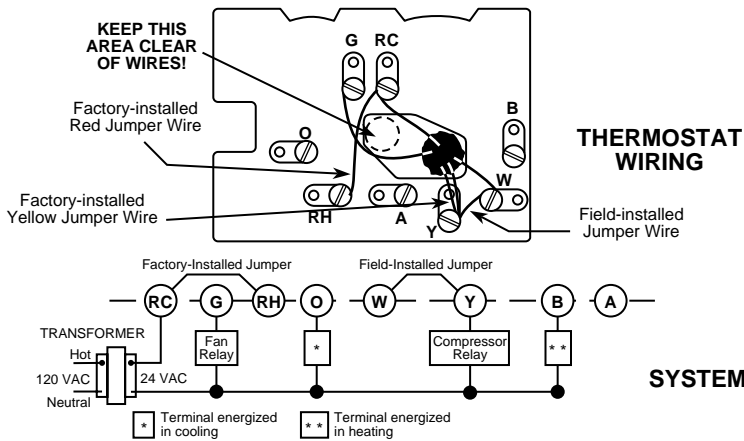


Figure 6. Typical wiring for single transformer, single stage heat pump system

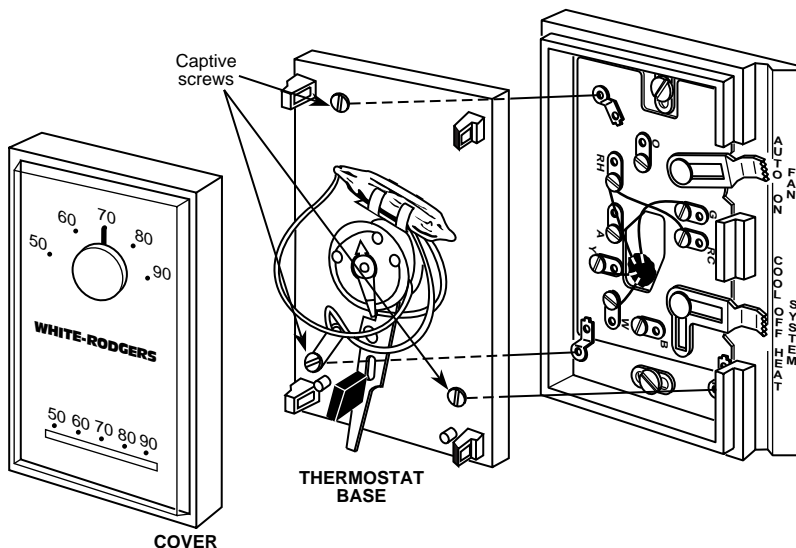


Figure 7. Attach thermostat to subbase

## OPERATION & MAINTENANCE

This thermostat is easy to operate. Fig. 8 shows how the heating/cooling system and fan operate when the switches are in various positions. Use the system switch to select either heating or cooling, or to turn the heating/cooling system off. Use the fan switch to control fan operation. When the fan switch is in the **AUTO** position, the fan will cycle with the heating or cooling system (the fan will not run if the system switch is in the **OFF** position and the fan switch is in the **AUTO** position). When the fan switch is in the **ON** position, the fan will run continuously, regardless of system switch position (even if the system switch is set to **OFF**, the fan will run if the fan switch is in the **ON** position).

■ Shows switch position		OPERATION
FAN	SYSTEM	
<input type="checkbox"/> AUTO <input type="checkbox"/> ON	<input type="checkbox"/> COOL <input type="checkbox"/> OFF <input type="checkbox"/> HEAT	
<input checked="" type="checkbox"/> <input type="checkbox"/>	<input type="checkbox"/> <input checked="" type="checkbox"/> <input type="checkbox"/>	No heating; no cooling; no fan
<input type="checkbox"/> <input checked="" type="checkbox"/>	<input type="checkbox"/> <input checked="" type="checkbox"/> <input type="checkbox"/>	No heating; no cooling; fan runs continuously
<input type="checkbox"/> <input checked="" type="checkbox"/>	<input checked="" type="checkbox"/> <input type="checkbox"/> <input type="checkbox"/>	Cooling system cycles from thermostat; fan runs continuously
<input checked="" type="checkbox"/> <input type="checkbox"/>	<input checked="" type="checkbox"/> <input type="checkbox"/> <input type="checkbox"/>	Cooling system and fan cycle from thermostat
<input checked="" type="checkbox"/> <input type="checkbox"/>	<input type="checkbox"/> <input type="checkbox"/> <input checked="" type="checkbox"/>	Heating system cycles from thermostat; fan cycles from fan control on furnace
<input type="checkbox"/> <input checked="" type="checkbox"/>	<input type="checkbox"/> <input type="checkbox"/> <input checked="" type="checkbox"/>	Heating system cycles from thermostat; fan runs continuously

Figure 8. Subbase switching and thermostat/system operation

